

**This electronic collection of documents is provided
for the convenience of the user
and is Not a Certified Document –**

**The documents contained herein were originally issued
and sealed by the individuals whose names and license
numbers appear on each page, on the dates appearing
with their signature on that page.**

**This file or an individual page
shall not be considered a certified document.**

APPROXIMATE QUANTITIES ONLY. UNCLASSIFIED EXCAVATION, BORROW EXCAVATION, FINE GRADING, CLEARING AND GRUBBING, AND REMOVAL OF EXISTING PAVEMENT WILL BE PAID FOR AT THE LUMP SUM PRICE FOR "GRADING".

STATE OF NORTH CAROLINA
DIVISION OF HIGHWAYS

NOTE: EMBANKMENT COLUMN DOES NOT INCLUDE BACKFILL FOR UNDERCUT.

CROSS-SECTION SUMMARY

PHASE 1 DETOUR CONSTRUCTION			Station	Uncl. Exc.	Embt	Station	Uncl. Exc.	Embt	Station	Uncl. Exc.	Embt								
Station	Uncl. Exc.	Embt	Det	(cu. yd.)	(cu. yd.)	L	(cu. yd.)	(cu. yd.)	L	(cu. yd.)	(cu. yd.)								
			25+55.34	41	3	24+00.00	0	139	22+25.00	139	14								
			25+80.63	64	4	24+25.00	0	109	22+50.00	125	14								
			26+05.97	75	3	24+50.00	0	76	22+75.00	118	13								
13+00.00	0	0	26+31.25	89	2	24+75.00	0	44	23+00.00	118	12								
13+25.00	5	2	26+56.47	91	1	25+00.00	6	22	23+25.00	125	11								
13+50.00	8	2	26+81.64	86	0	25+25.00	10	12	23+50.00	124	11								
13+75.00	10	2	27+06.76	75	1	25+50.00	15	6	23+75.00	118	10								
14+00.03	12	1	27+31.85	63	1	25+75.00	24	2	24+00.00	119	6								
14+25.11	15	1	27+56.90	49	1				24+25.00	122	4								
14+50.26	20	2	27+81.93	34	1				24+50.00	115	3								
14+75.52	25	2	28+06.95	23	1				24+75.00	96	2								
15+00.88	31	3	28+31.95	13	1				25+00.00	76	1								
15+26.34	34	3							25+25.00	45	5								
15+51.89	33	3							25+50.00	26	16								
15+77.53	31	3							25+75.00	25	27								
16+03.28	22	3							26+00.00	22	31								
16+28.90	10	11							26+25.00	17	30								
16+54.12	3	39							26+50.00	12	28								
16+79.29	1	93							26+75.00	11	26								
17+04.42	0	154							27+00.00	11	21								
17+29.50	0	203							27+25.00	9	16								
17+54.56	0	244							27+50.00	6	7								
17+79.59	0	280							27+75.00	2	0								
18+04.60	0	300							28+00.00	0	0								
18+29.60	0	307							28+25.00	0	0								
18+54.60	0	308																	
18+79.60	0	304																	
19+04.60	0	283																	
19+29.60	0	249																	
19+54.60	0	216																	
19+79.60	0	187																	
20+04.60	0	171																	
20+29.60	0	161																	
20+54.60	0	183																	
20+79.60	0	258																	
21+04.60	0	323																	
21+29.60	0	310																	
21+54.60	0	237																	
21+79.60	0	178																	
22+04.60	0	151																	
22+29.60	0	133																	
22+54.60	0	119																	
22+79.60	0	106																	
23+04.60	0	103																	
23+29.60	0	112																	
23+54.60	0	118																	
23+79.61	0	119																	
24+04.62	0	120																	
24+29.66	0	124																	
24+54.71	0	113																	
24+79.80	0	86																	
25+04.93	0	58																	
25+30.11	10	22																	

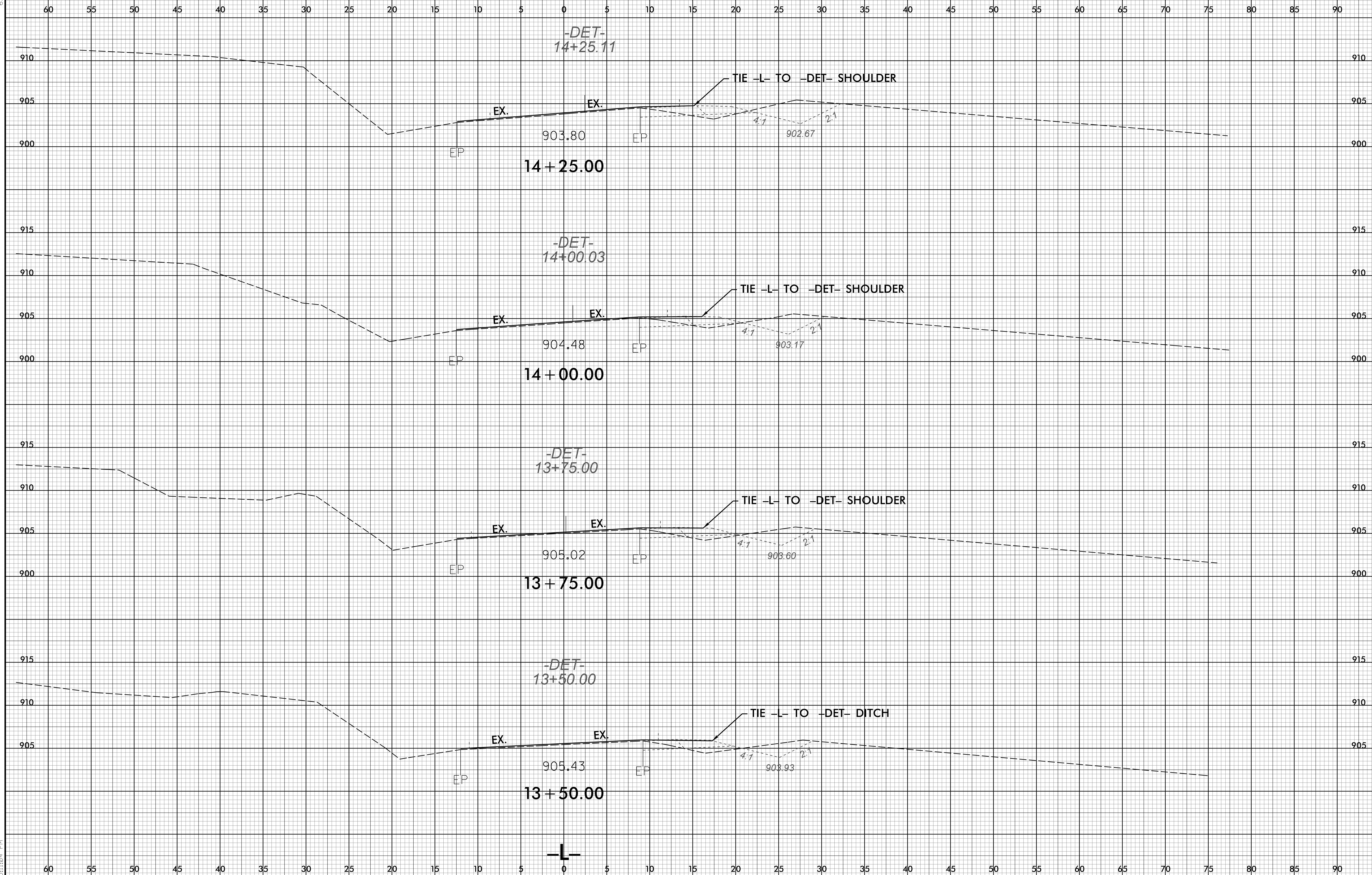
6/23/16



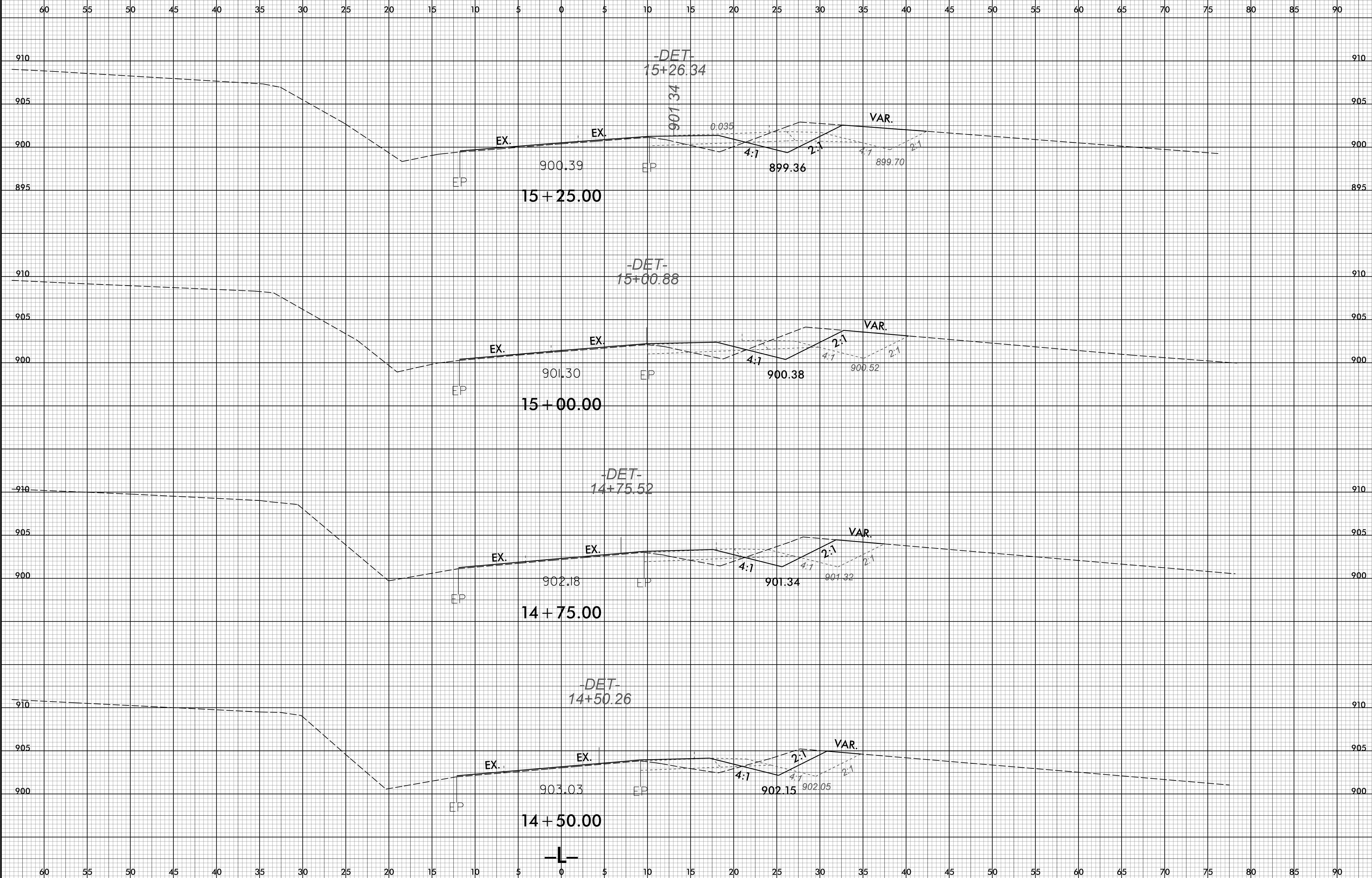
PROJ. REFERENCE NO.

SHEET NO.

X-2



2/26/2019 5:11:04 PM \\XSC\poltk29_Rdy_xpl.dgn



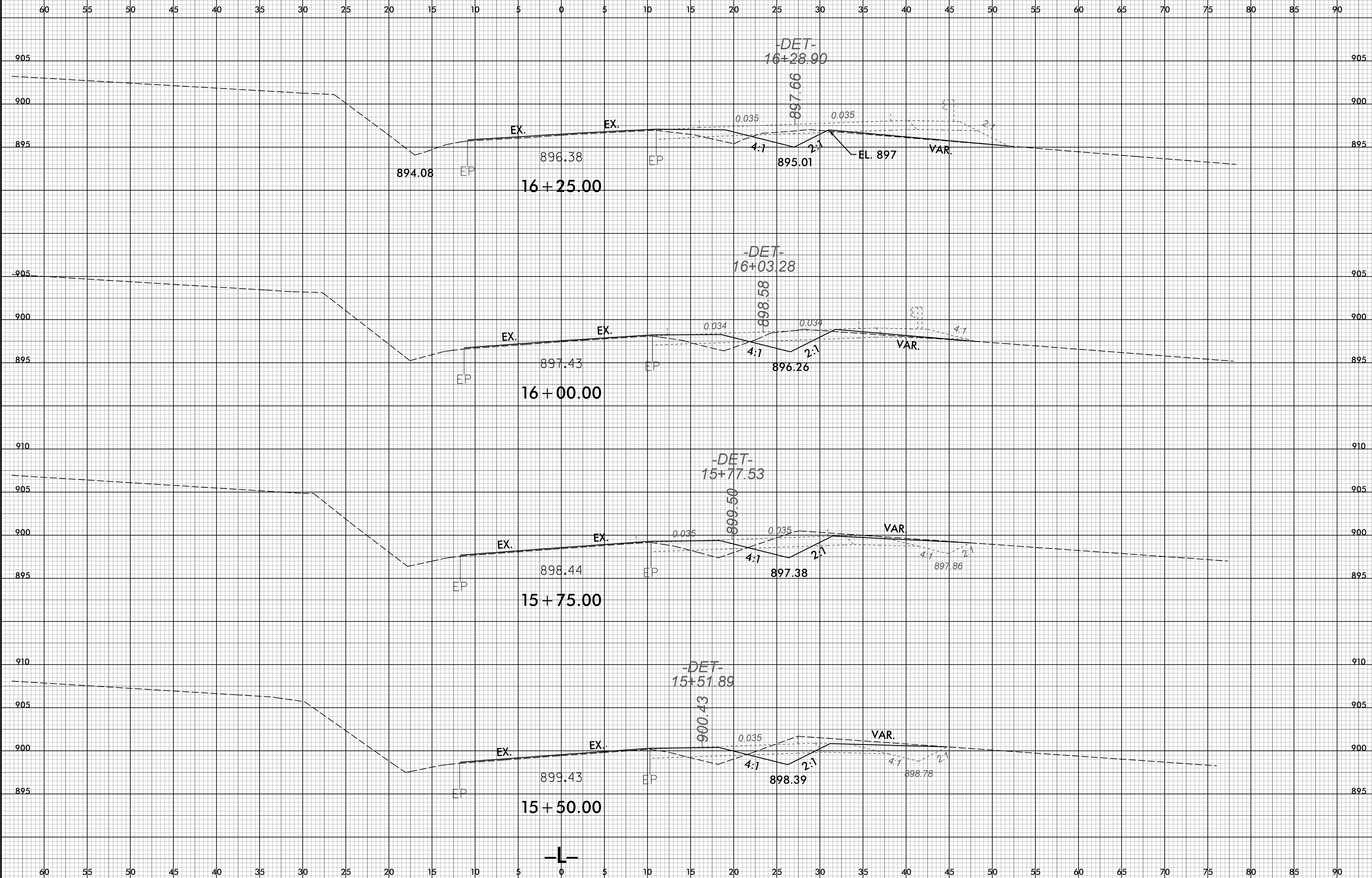
6/23/16



PROJ. REFERENCE NO.

SHEET NO.

X-4



2/26/2019 5:11:08 PM \\XSC\pork29_Rdy_xpl.dgn

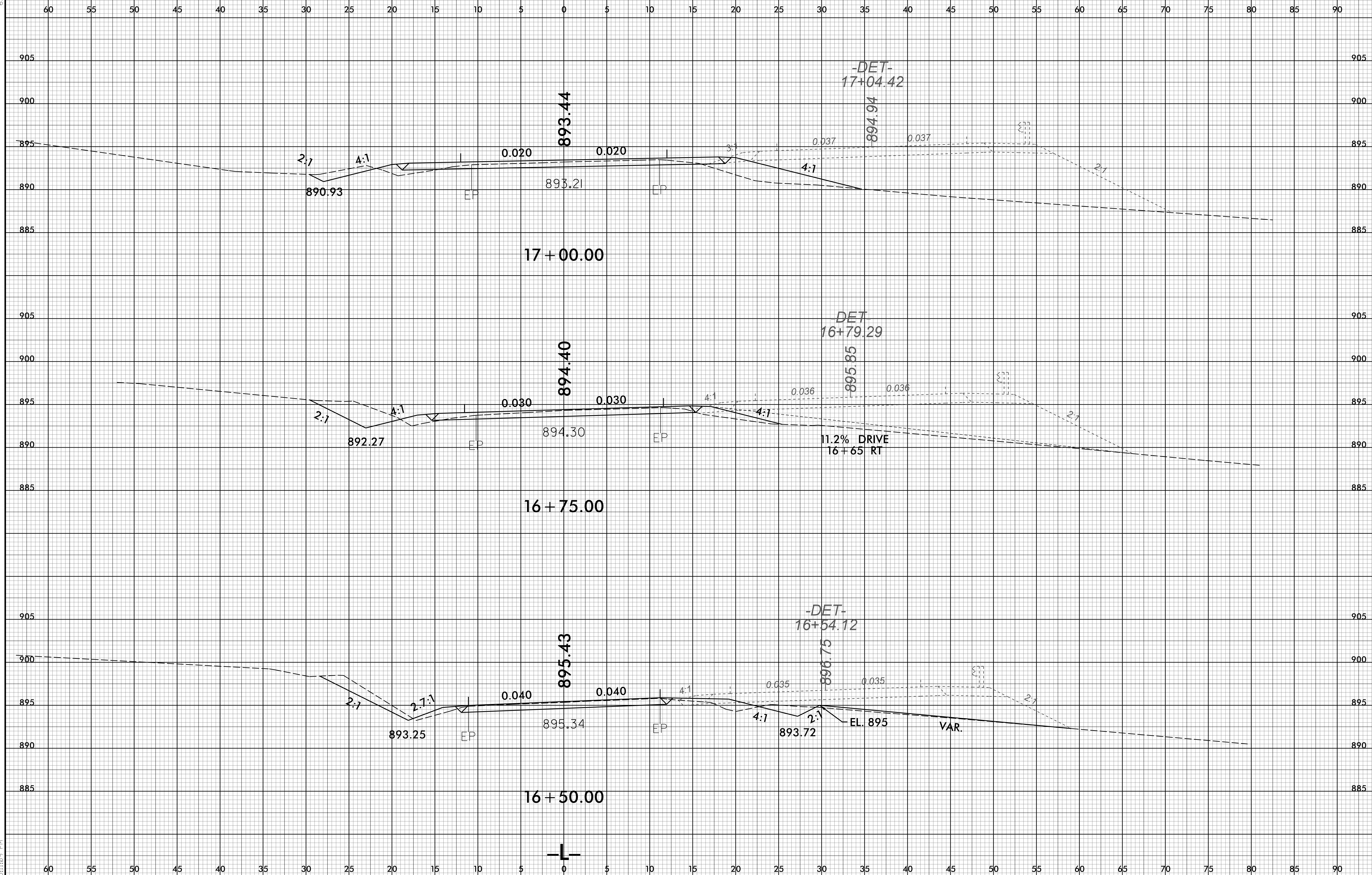
6/23/16



PROJ. REFERENCE NO.

SHEET NO.

X-5



2/26/2019 5:11:00 PM \\XSC\pork29_Rdy_xpl.dgn

6/23/16

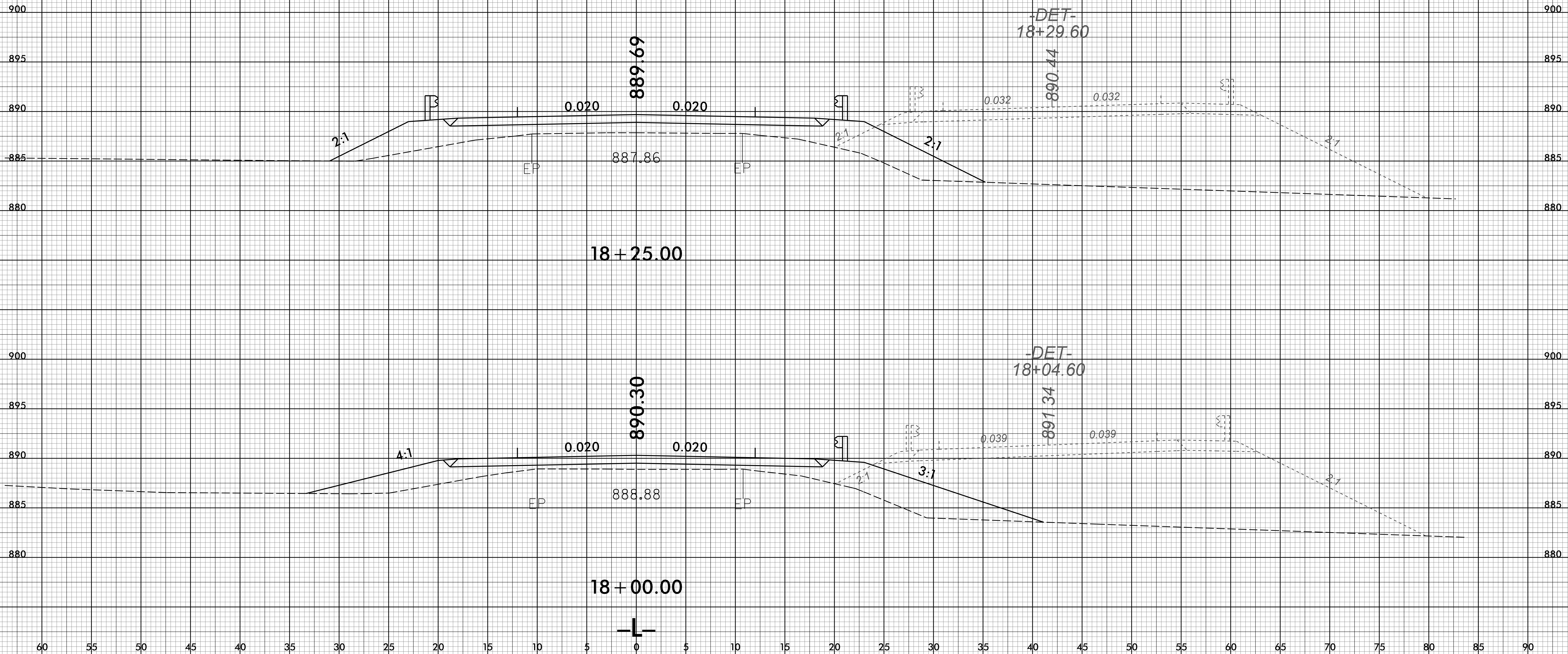


PROJ. REFERENCE NO.

SHEET NO.

X-7

60 55 50 45 40 35 30 25 20 15 10 5 0 5 10 15 20 25 30 35 40 45 50 55 60 65 70 75 80 85 90



2/26/2019 5:11:12 PM \\XSC\poltk29_Rdy_xpl.dgn

6/23/16

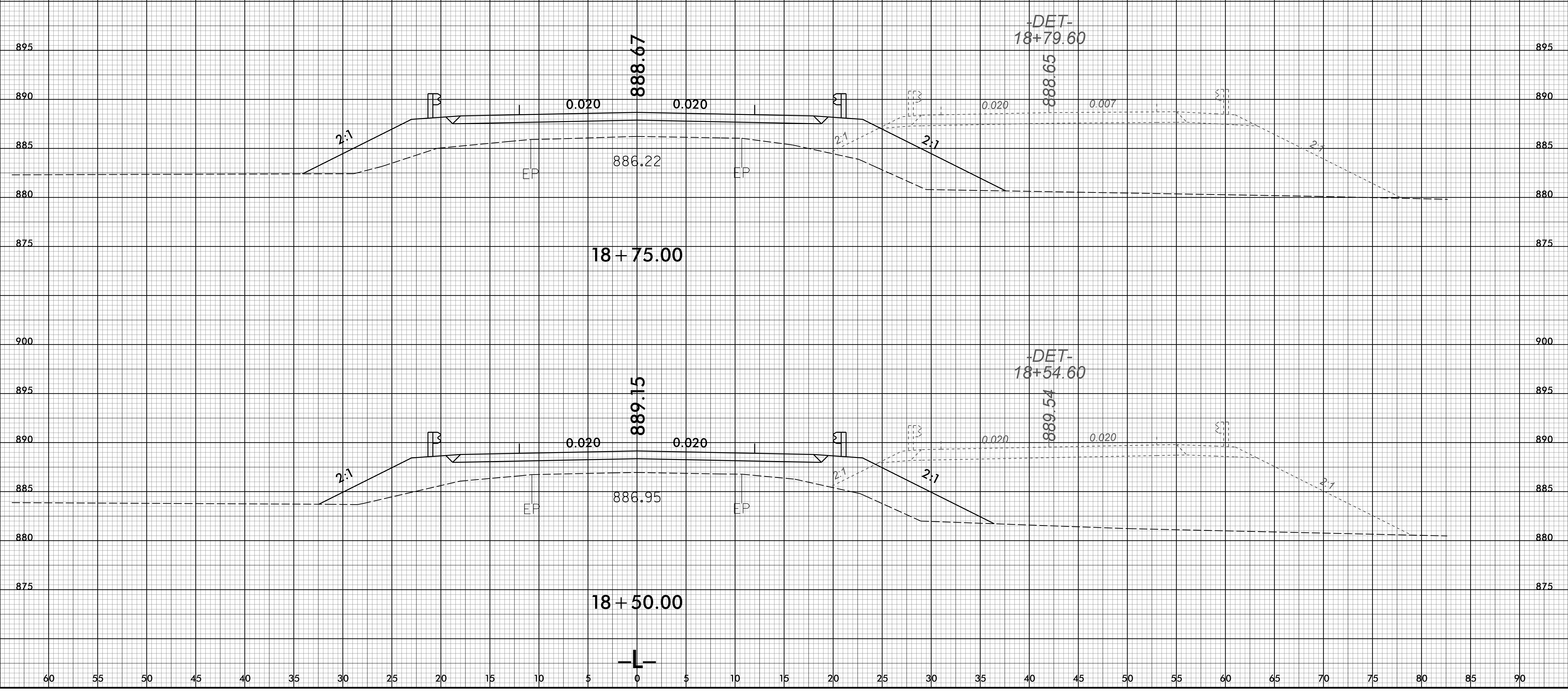


PROJ. REFERENCE NO.

SHEET NO.

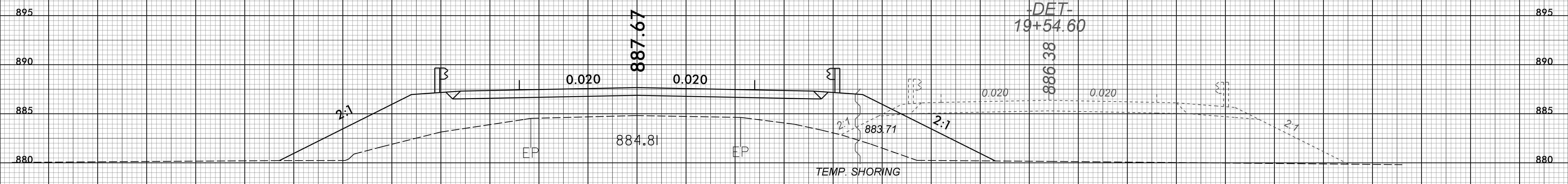
X-8

60 55 50 45 40 35 30 25 20 15 10 5 0 5 10 15 20 25 30 35 40 45 50 55 60 65 70 75 80 85 90

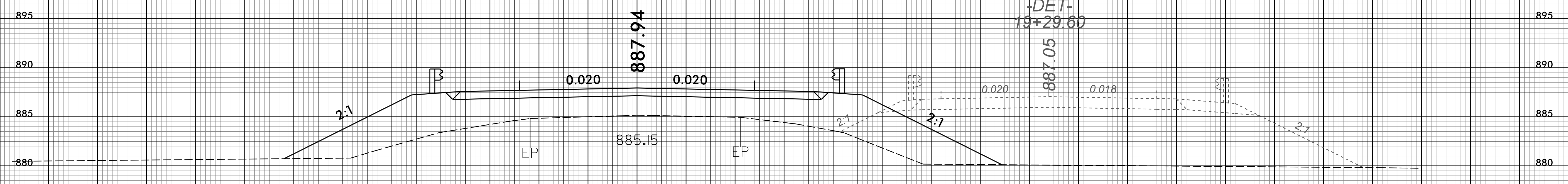


2/26/2019 5:11:14 PM \\XSC\pork29_Rdy_xpl.dgn

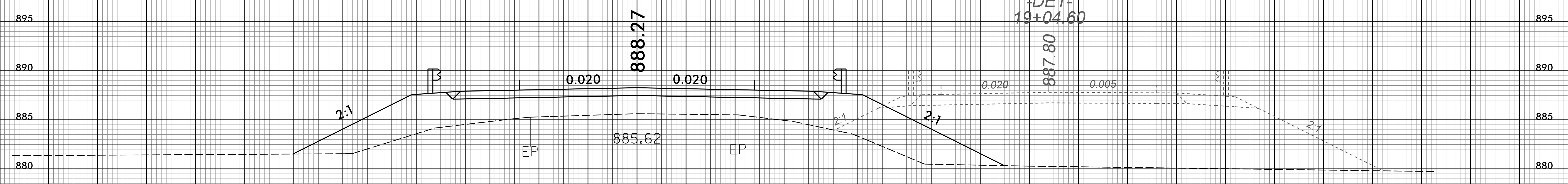
60 55 50 45 40 35 30 25 20 15 10 5 0 5 10 15 20 25 30 35 40 45 50 55 60 65 70 75 80 85 90



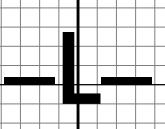
19 + 50.00



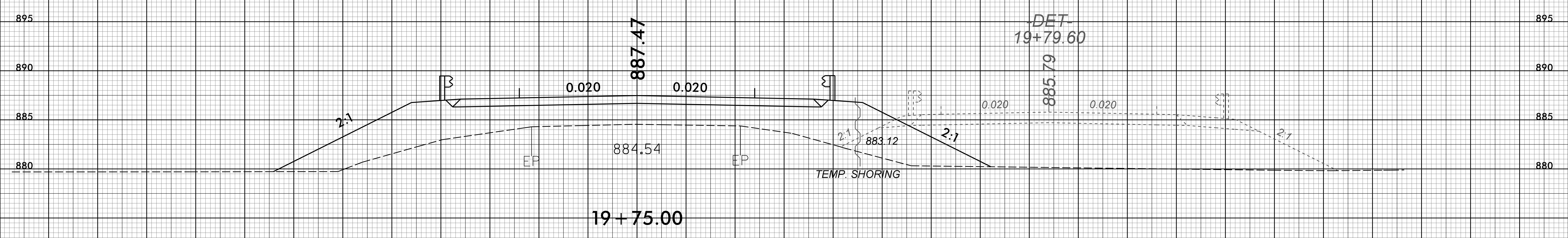
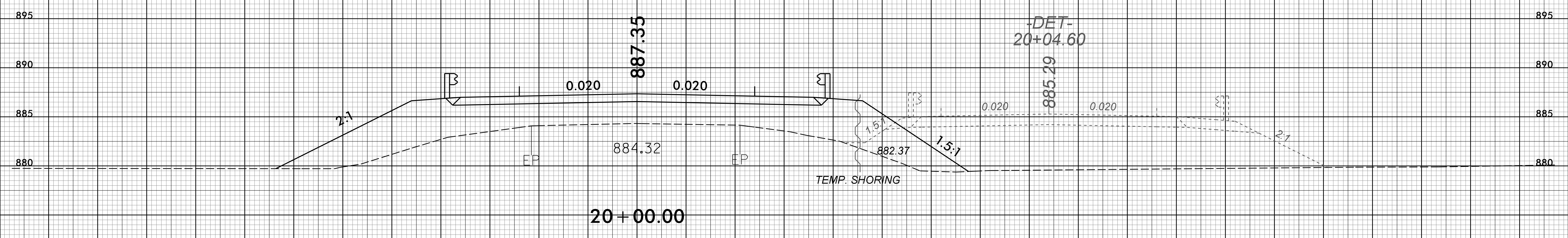
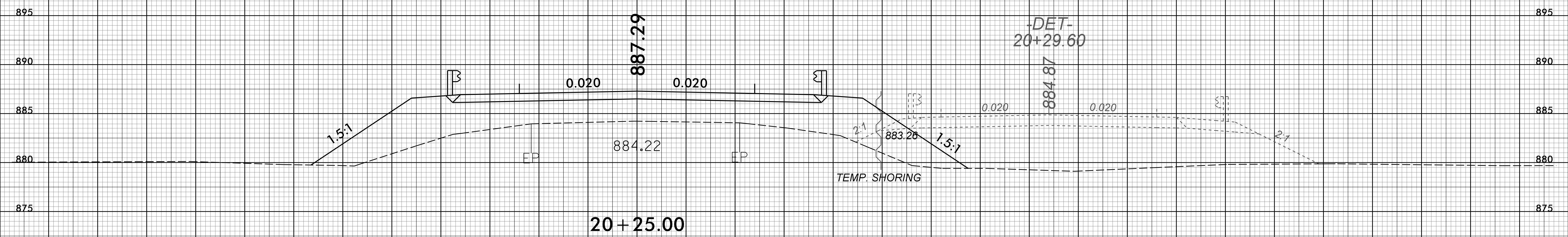
19 + 25.00



19 + 00.00



60 55 50 45 40 35 30 25 20 15 10 5 0 5 10 15 20 25 30 35 40 45 50 55 60 65 70 75 80 85 90



60 55 50 45 40 35 30 25 20 15 10 5 0 5 10 15 20 25 30 35 40 45 50 55 60 65 70 75 80 85 90

6/23/16

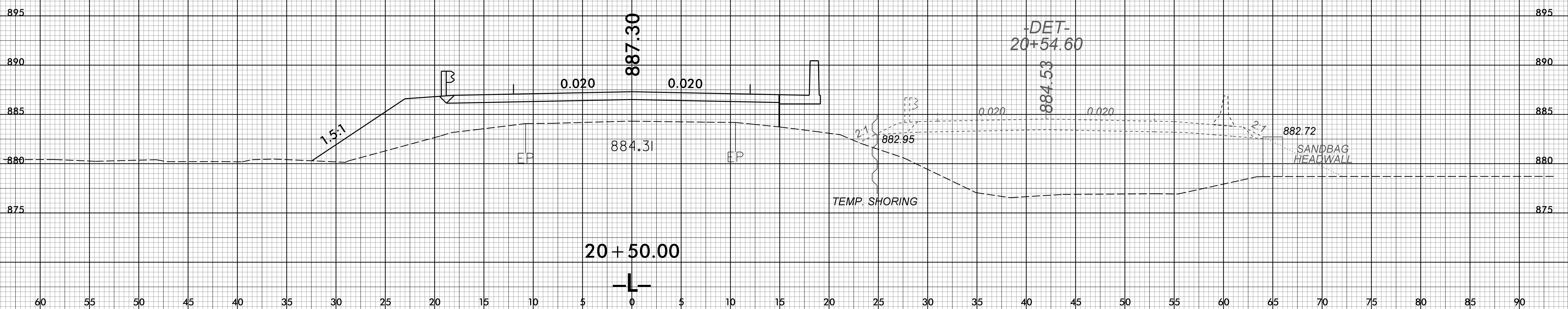
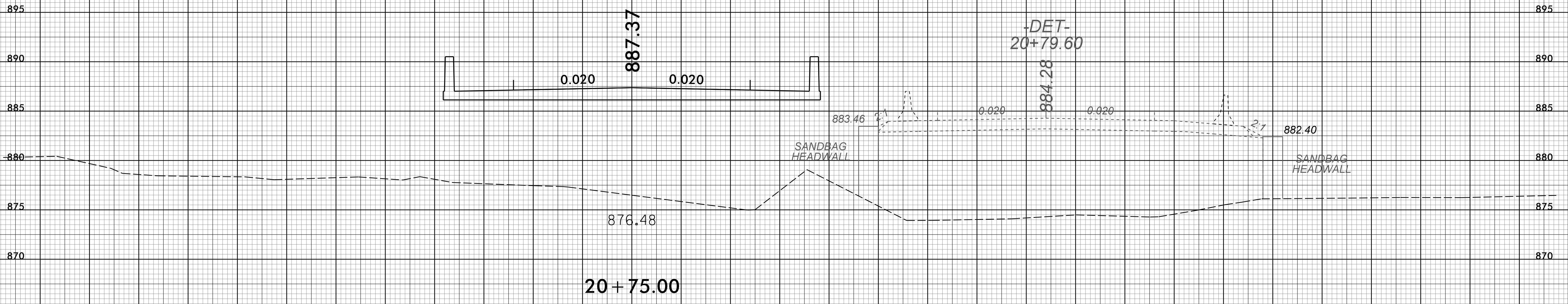


PROJ. REFERENCE NO.

SHEET NO.

X-11

60 55 50 45 40 35 30 25 20 15 10 5 0 5 10 15 20 25 30 35 40 45 50 55 60 65 70 75 80 85 90



2/26/2019 5:11:30 PM \\XSC\poltk29_Rdy_xpl.dgn

6/23/16

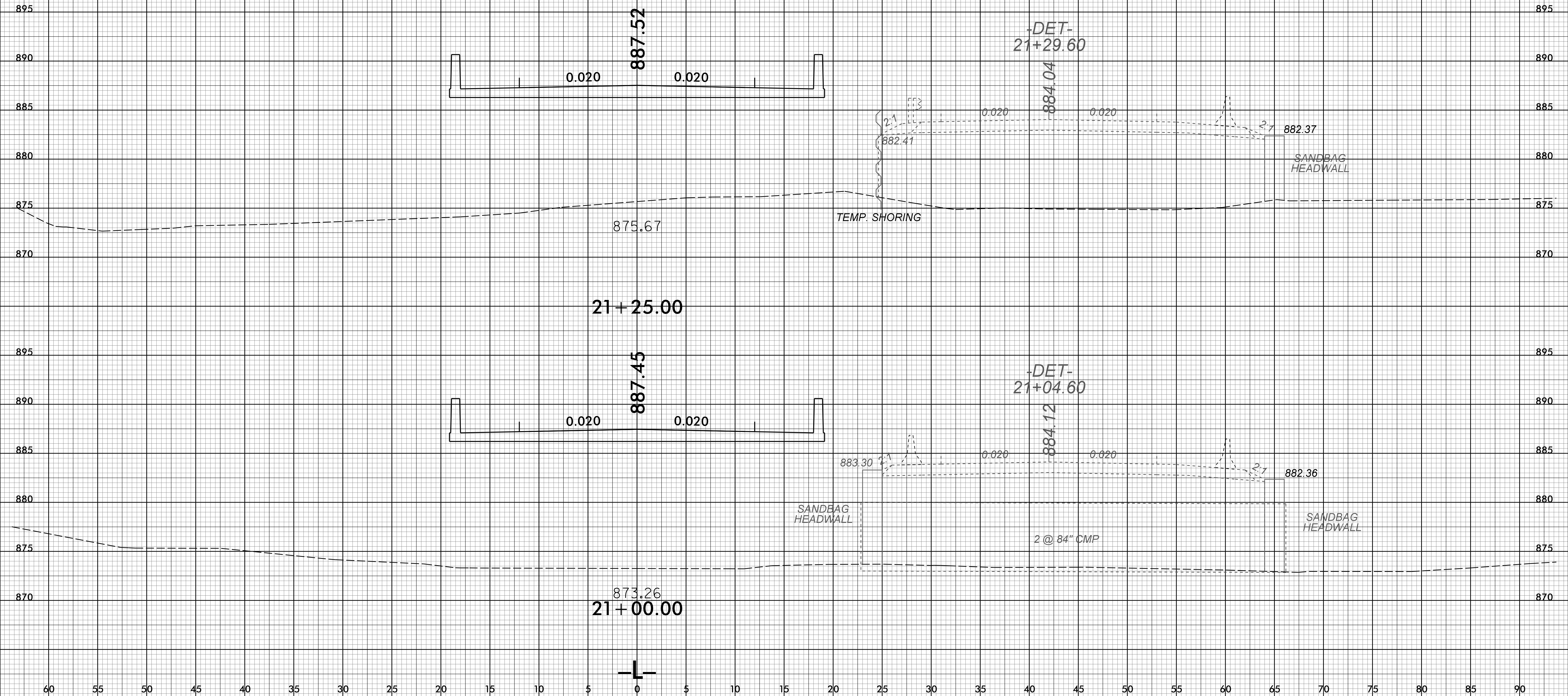


PROJ. REFERENCE NO.

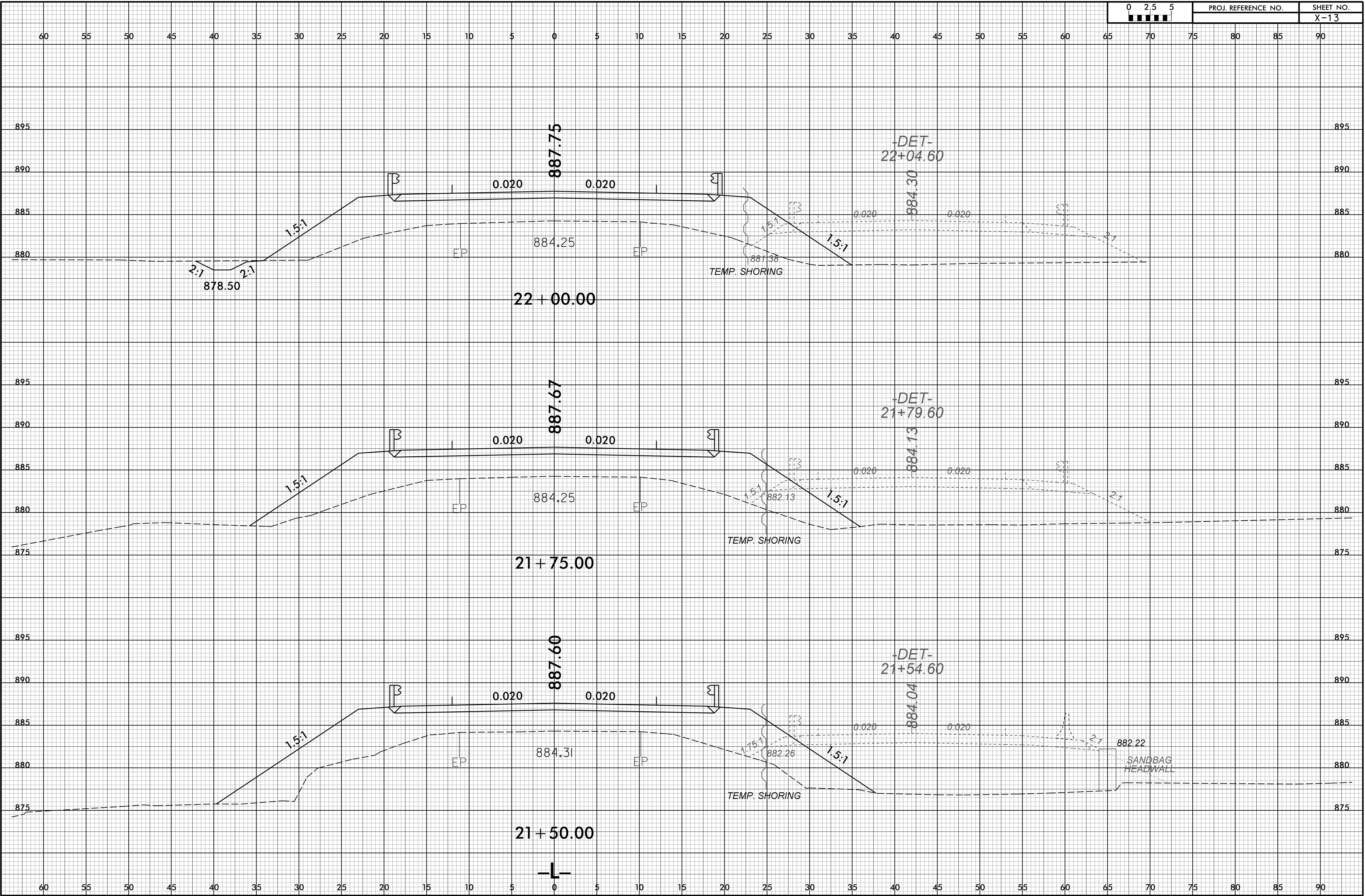
SHEET NO.

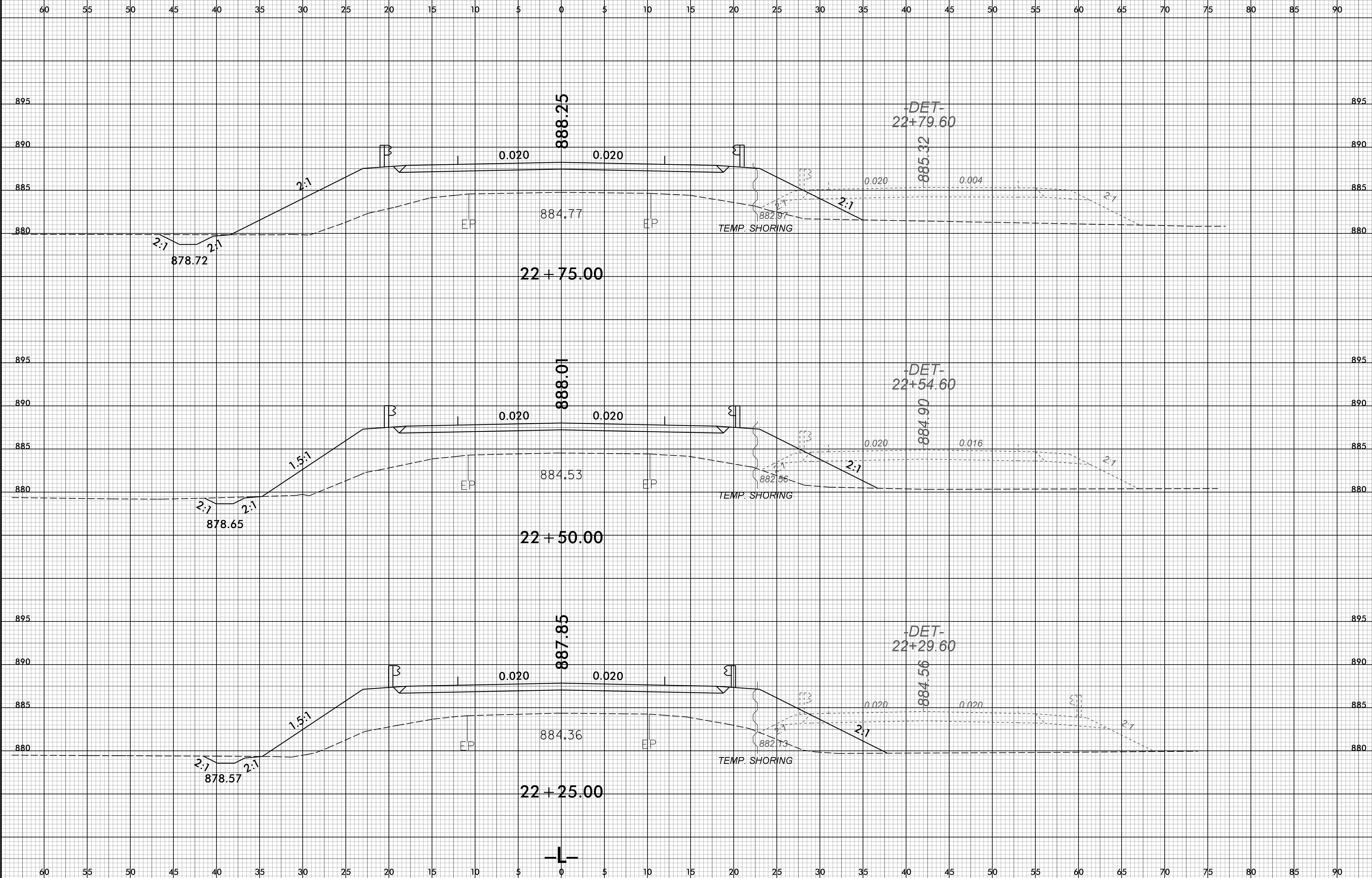
X-12

60 55 50 45 40 35 30 25 20 15 10 5 0 5 10 15 20 25 30 35 40 45 50 55 60 65 70 75 80 85 90

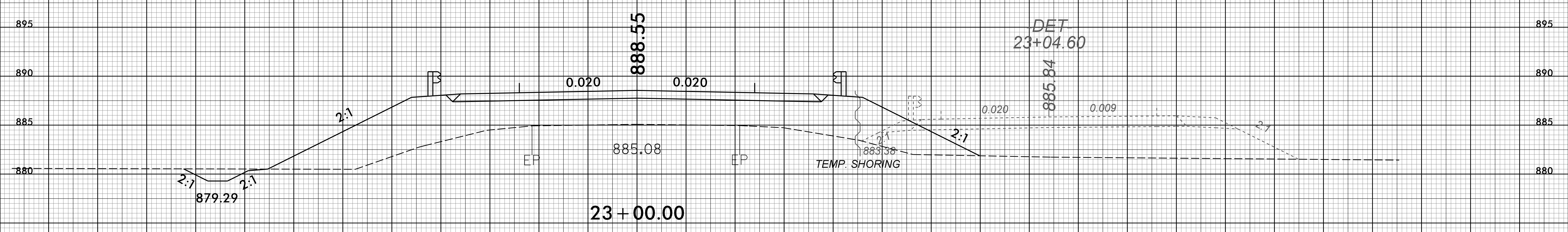
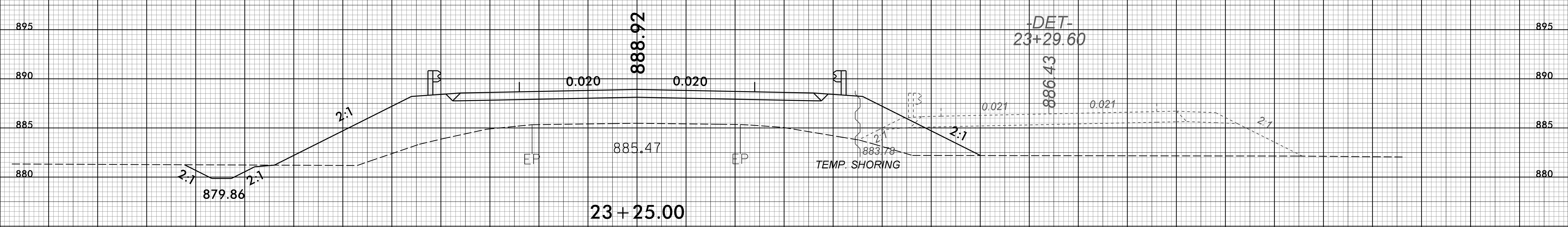
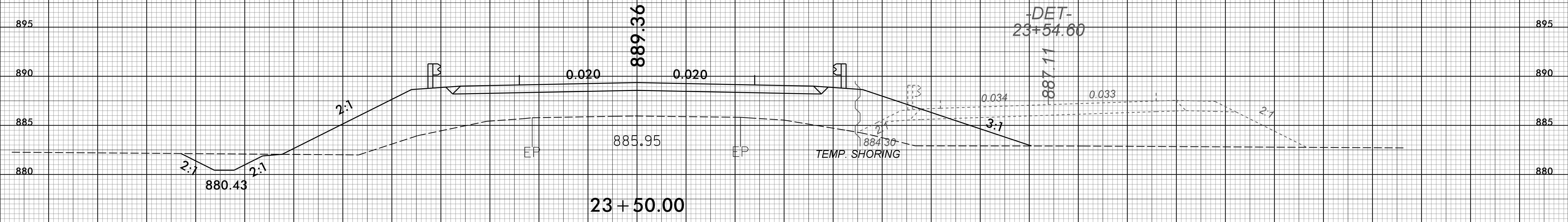


2/26/2019 5:11:20 PM \\XSC\pork29_Rdy_xpl.dgn





60 55 50 45 40 35 30 25 20 15 10 5 0 5 10 15 20 25 30 35 40 45 50 55 60 65 70 75 80 85 90



60 55 50 45 40 35 30 25 20 15 10 5 0 5 10 15 20 25 30 35 40 45 50 55 60 65 70 75 80 85 90

6/23/16

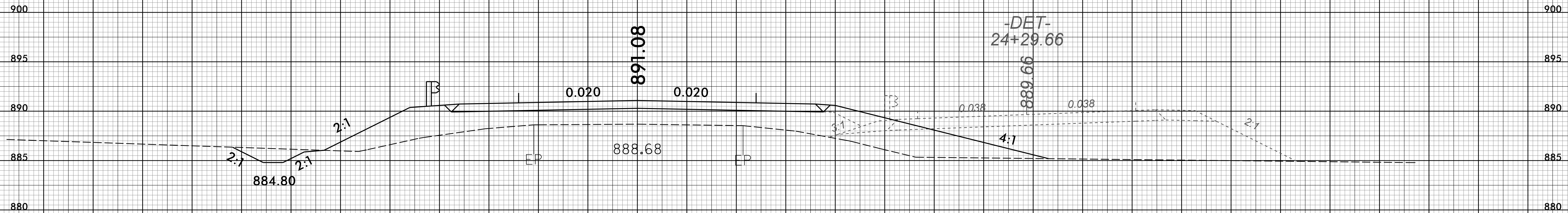


PROJ. REFERENCE NO.

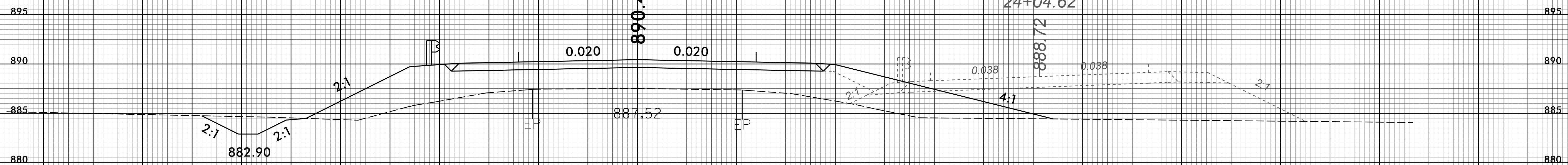
SHEET NO.

X-16

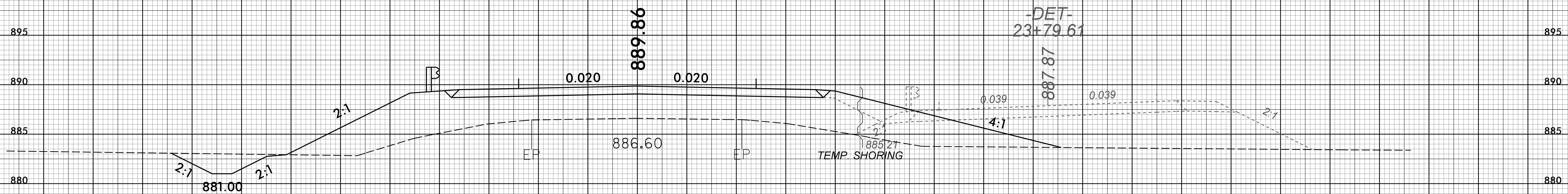
60 55 50 45 40 35 30 25 20 15 10 5 0 5 10 15 20 25 30 35 40 45 50 55 60 65 70 75 80 85 90



24 + 25.00



24 + 00.00



23 + 75.00

2/26/2019 5:11:27 PM \\XSC\poltk29_Rdy_xpl.dgn

60 55 50 45 40 35 30 25 20 15 10 5 0 5 10 15 20 25 30 35 40 45 50 55 60 65 70 75 80 85 90

6/23/16

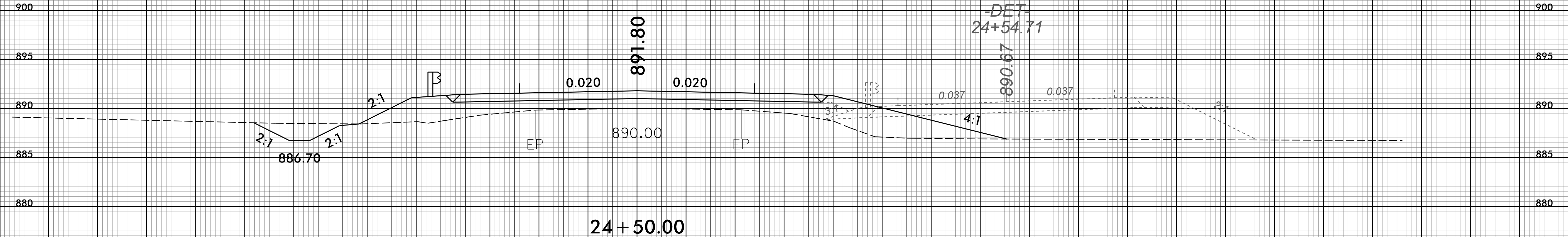
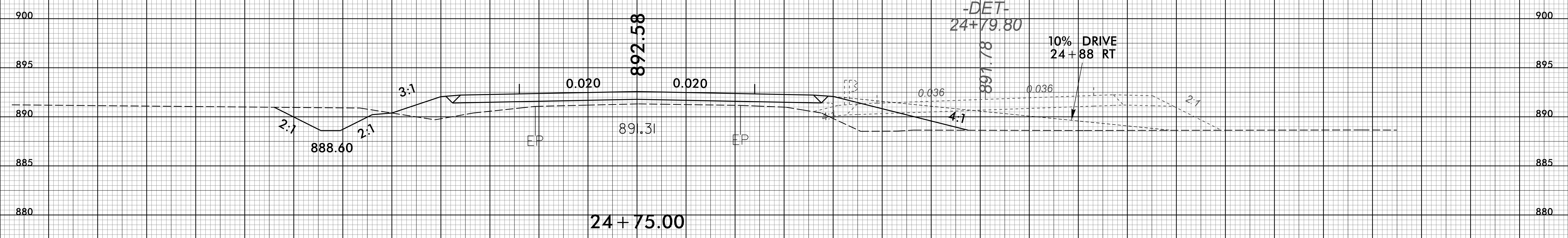
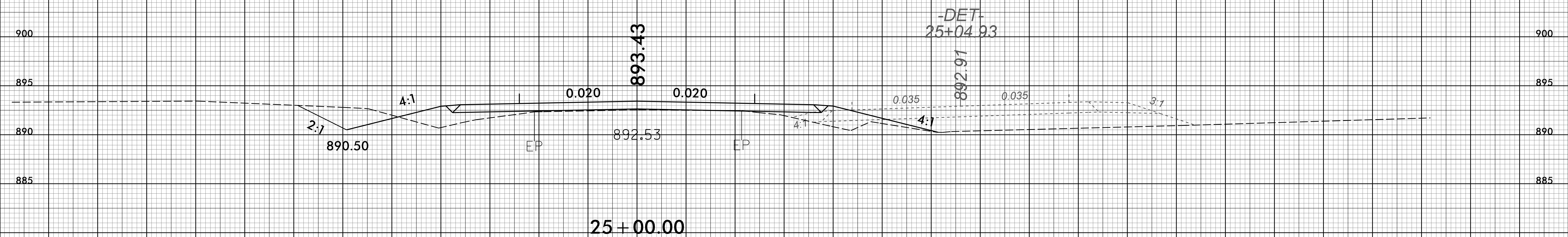


PROJ. REFERENCE NO.

SHEET NO.

X-17

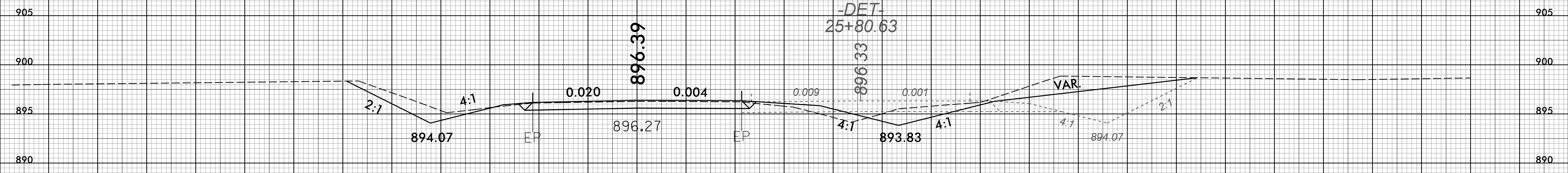
60 55 50 45 40 35 30 25 20 15 10 5 0 5 10 15 20 25 30 35 40 45 50 55 60 65 70 75 80 85 90



60 55 50 45 40 35 30 25 20 15 10 5 0 5 10 15 20 25 30 35 40 45 50 55 60 65 70 75 80 85 90

2/26/2019 5:11:28 PM \\XSC\poltk29_Rdy_xpl.dgn

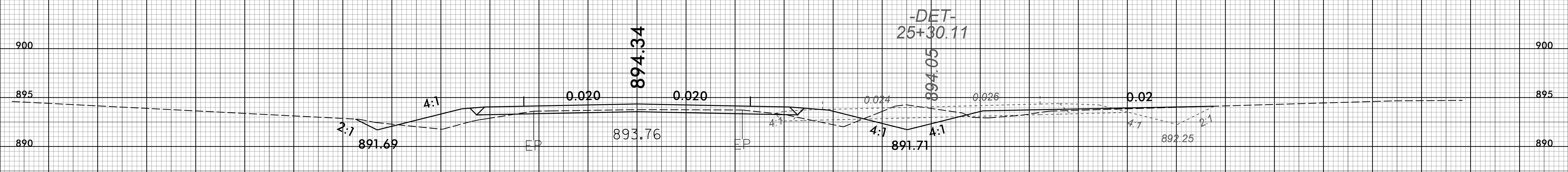
60 55 50 45 40 35 30 25 20 15 10 5 0 5 10 15 20 25 30 35 40 45 50 55 60 65 70 75 80 85 90



25 + 75.00



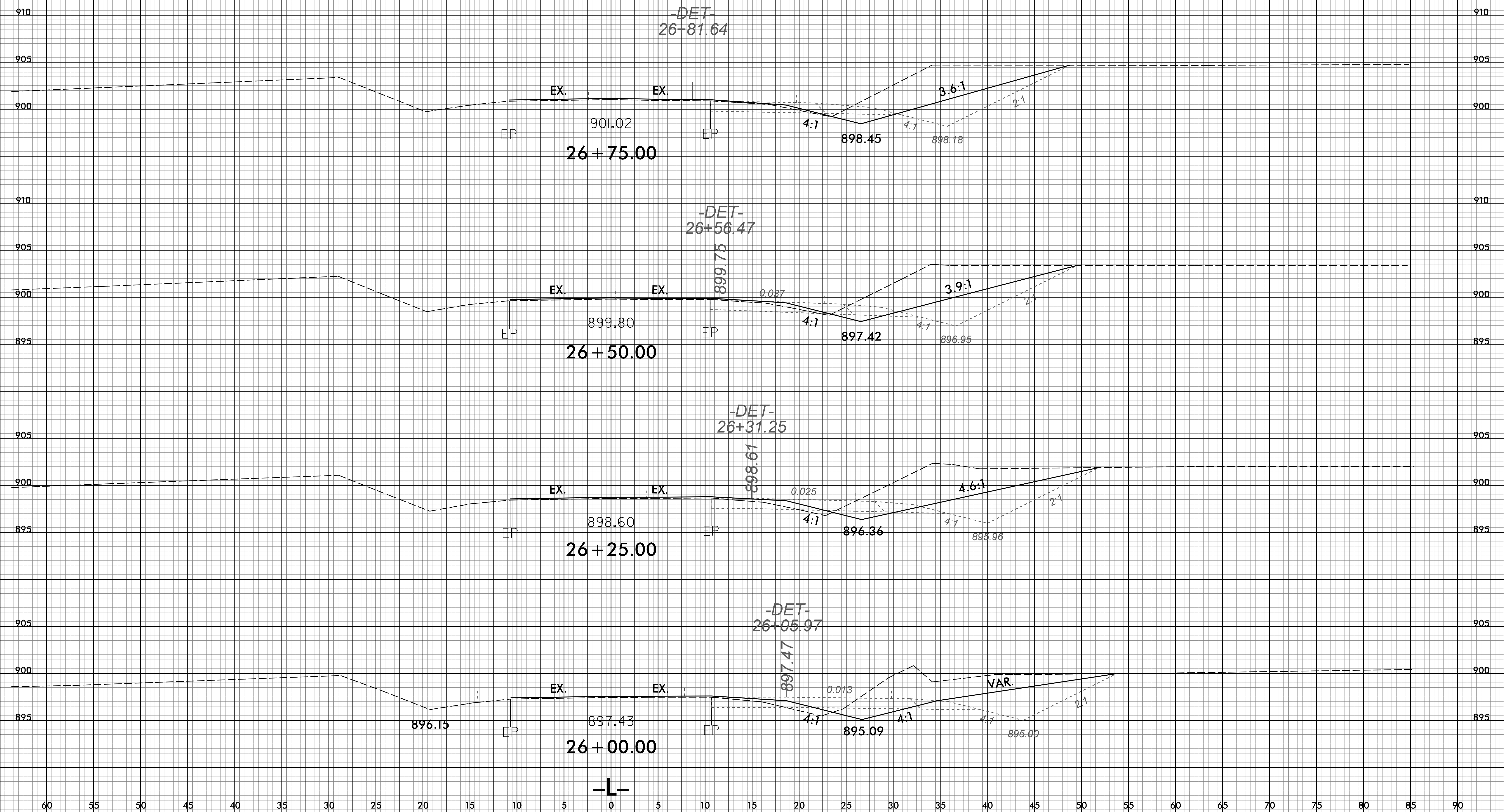
25 + 50.00



25 + 25.00

60 55 50 45 40 35 30 25 20 15 10 5 0 5 10 15 20 25 30 35 40 45 50 55 60 65 70 75 80 85 90

60 55 50 45 40 35 30 25 20 15 10 5 0 5 10 15 20 25 30 35 40 45 50 55 60 65 70 75 80 85 90



60 55 50 45 40 35 30 25 20 15 10 5 0 5 10 15 20 25 30 35 40 45 50 55 60 65 70 75 80 85 90

-DET-
27+81.93

TIE -L- TO -DET- SHOULDER

6' DITCH

EX.

EX.

905.70

903.29

27 + 75.00

-DET-
27+56.90

7' DITCH

EX.

EX.

904.63

901.87

27 + 50.00

-DET-
27+31.85

2.7:1

EX.

EX.

903.47

900.63

27 + 25.00

-DET-
27+06.76

3:1

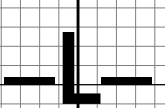
EX.

EX.

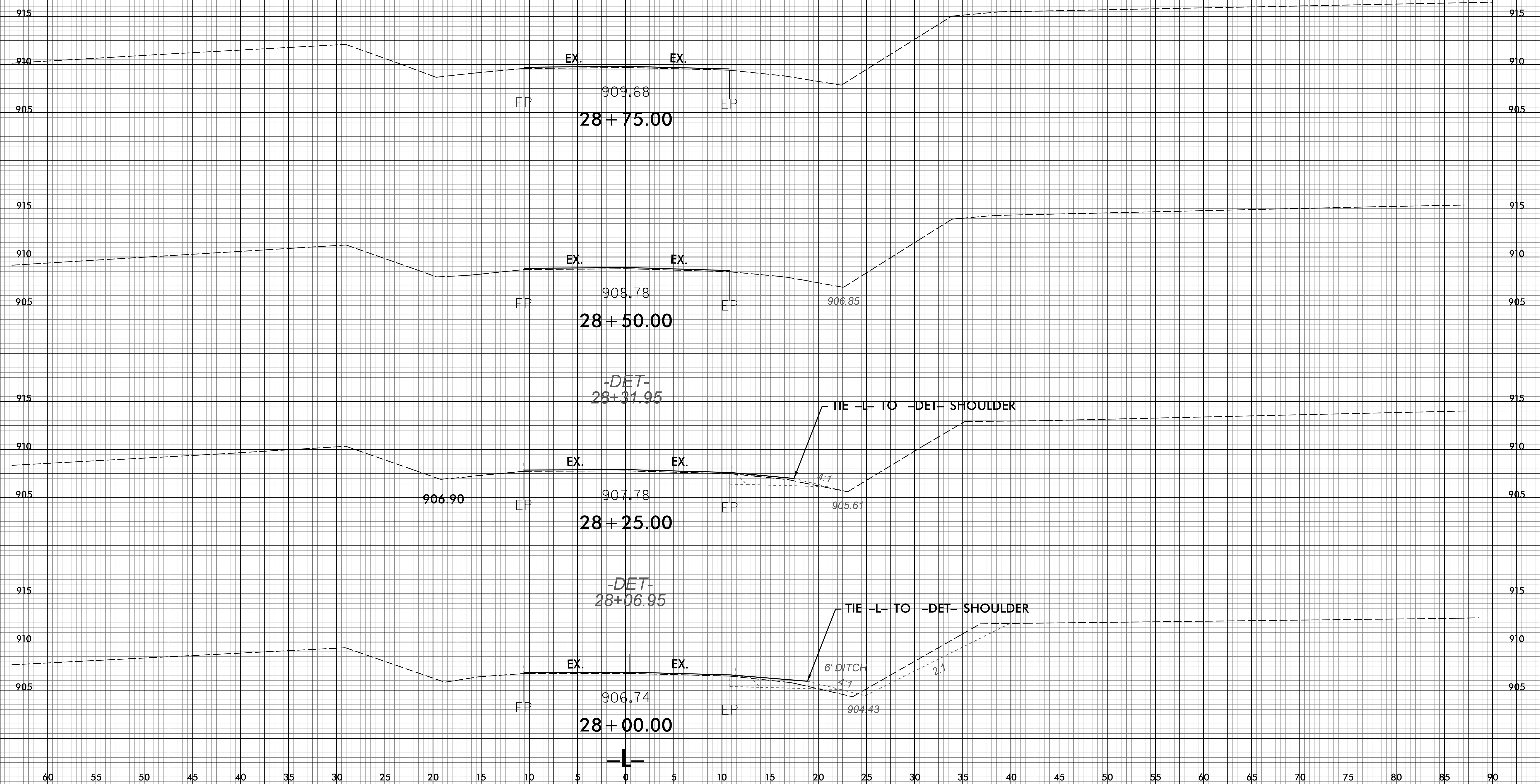
902.26

899.50

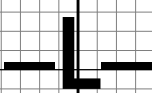
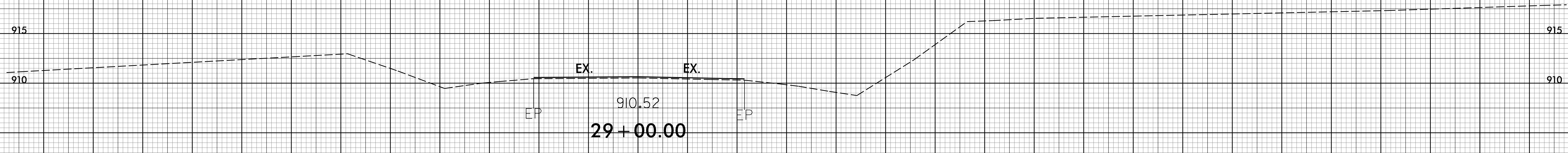
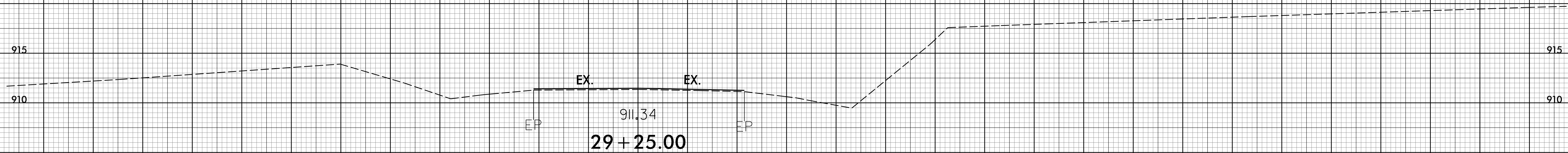
27 + 00.00



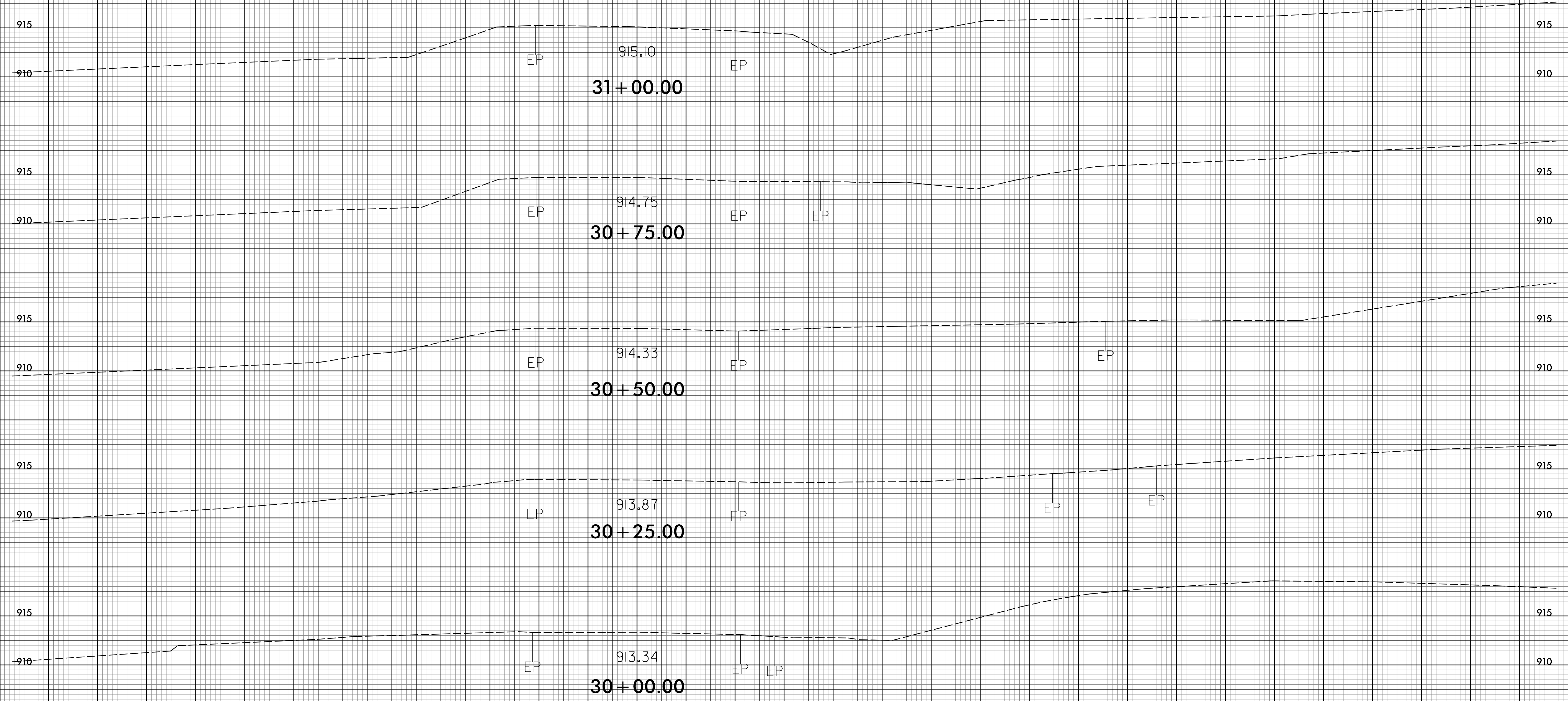
60 55 50 45 40 35 30 25 20 15 10 5 0 5 10 15 20 25 30 35 40 45 50 55 60 65 70 75 80 85 90



60 55 50 45 40 35 30 25 20 15 10 5 0 5 10 15 20 25 30 35 40 45 50 55 60 65 70 75 80 85 90



60 55 50 45 40 35 30 25 20 15 10 5 0 5 10 15 20 25 30 35 40 45 50 55 60 65 70 75 80 85 90



60 55 50 45 40 35 30 25 20 15 10 5 0 5 10 15 20 25 30 35 40 45 50 55 60 65 70 75 80 85 90